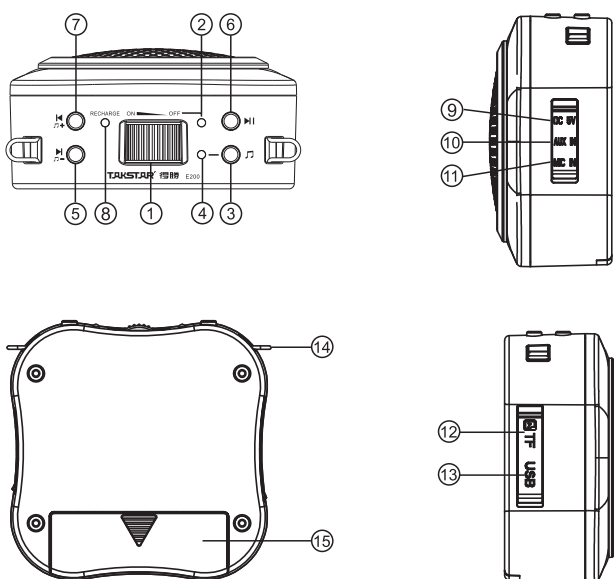


欢迎使用TAKSTAR便携式扩音器。本产品是专为户外活动等大功率场合而设计的，采用先进的数字技术，提供更长久的电池使用时间和更大功率输出，是户外活动的理想选择。在使用之前，请仔细阅读说明书，以便能正确的操作，发挥本扩音器的优越性能。

产品特性

- 集麦克风、功放、音箱、充电器、电池为一体的便携式数字扩音器
- 综合应用数字电声技术，能输出高达15W的音频功率
- 具有音乐播放功能，支持USB和TF存储卡上的多媒体音频文件播放
- 内置大容量耐久型锂离子电池，充电迅速只需6小时，使用时间可达20小时
- 灵活可变的多种佩戴方式，适应不同用户的个性需求
- 产品符合人体工学原理设计，造型新颖，外观时尚，使用舒适

控制面板示意图



- ① 电源开关：往ON方向旋转为开机和音量增大，往OFF方向旋转音量减小至关机
- ② 电源指示灯：开机后，此灯亮绿色，当电量不足时此灯亮红色
- ③ 音乐播放功能切换键：M 此键可以对音乐播放开关进行控制，麦克风在上述模式中同步使用
- ④ 音乐播放指示灯：音乐播放时，此灯闪烁；暂停时，此灯常亮，音乐关闭时，此灯熄灭
- ⑤ 音乐功能按键：▶、⏮ - 短按为下一曲，长按此键可以单独调小音乐播放音量，满足讲解时做背景音乐
- ⑥ 播放/暂停按键：⏸ 按此键可以控制音乐的播放与暂停
- ⑦ 音乐功能按键：◀、⏭ + 短按为上一曲，长按此键可以单独增大音乐播放音量，满足讲解时做背景音乐
- ⑧ 充电指示灯：充电时此灯亮红色；充电饱和时，此灯亮绿色
- ⑨ 充电输入插孔：将随机配置的DC 5V电源充电器插头插入此孔，即可开始对电池充电
- ⑩ AUX IN输入插孔：可外接音源信号，充当小音箱使用
- ⑪ MIC IN输入插孔：将Φ3.5mm的麦克风插头插入此孔，进入扩音工作状态；操作时，请不要将麦克风的拾音面朝向扩音器的扬声器，以免产生啸叫
- ⑫ TF内存卡插口：根据示意标示方向插入存有音乐文件的TF内存卡，插入时，听到“嗒”一声，表示已安装到位并将其锁住；取卡时只要将卡往下按，听到“嗒”一声，TF内存卡会自动弹出来
- ⑬ U盘插孔：将存放有音乐文件的U盘插入此孔
- ⑭ 肩挂扣
- ⑮ 电池仓：内装一节3.7V/2000mAh锂离子电池

技术参数

频率响应：80Hz-12kHz
 最大输出功率：15W
 扬声器阻抗：4Ω
 工作电压：3.7V
 电池规格：1节3.7V/2000mAh锂离子电池
 充电器规格：DC 5V 600-750mAh
 充电时间：约4-6小时
 使用时间：20小时
 TF卡/U盘：最大支持16G
 媒体格式：MP3
 单机重量：408g
 产品规格：107×107×52mm

使用说明

1. 将电池按正确的标示装入电池仓内
2. 将头戴麦克风正确的佩戴在头部，并调整好麦克风的拾音角度
3. 将Φ3.5mm的麦克风插头插入麦克风输入孔内
4. 打开电源，电源指示灯亮，调整音量按键到合适的音量大小
5. 使用过程中，若电量指示灯亮红色时，表示电池低电量，请及时充电

注意事项

1. 长时间不使用时应将电池充满电
2. 当低电量时应及时充电
3. 请不要将外部的音源信号(如DVD、MP3等)从MIC插孔输入，以免声音幅度过大而失真
4. 为了保证充电器的最佳性能，请使用本机配置的DC 5V专用充电供电器
5. 为了达到良好效果，请对准头戴麦克风的咪芯(1-2cm)处发音，以防方向不正引起啸叫
6. 禁止对非充电电池进行充电
7. 非专业技术人员请不要擅自拆机改装或维修；如有任何问题或服务需求请联系当地经销商

标准配置



适用场合

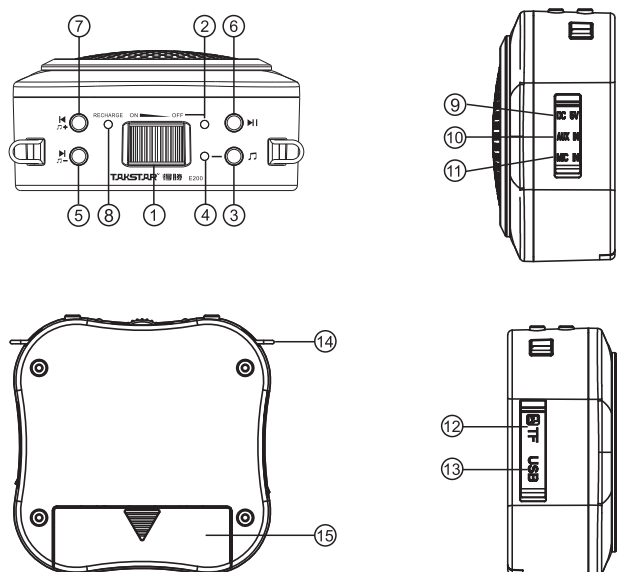
教学、导游、培训、促销、宣传、晨练、娱乐等场合扩音用。

Welcome to use Takstar portable digital voice amplifier. This product is ideal for teaching, tour guide, music entertainment etc. because of the excellent digital technology, long battery playtime and high output power. Please read this user manual detailedly before using to make sure the correct operation.

Features

- Digital circuitry technology, 15W output power
- Music play function supports multimedia audio file play of USB flash disk and TF card
- Built-in high capacity lithium-ion battery features fast recharging time(only 6 hours) and long playtime up to 20 hours
- Choices of waist or shoulder hanging wear style for convenient use
- Exquisite and durable design

Function Illustration



- ① Power switch with volume control: Turn the wheel to "ON" position until you hear a clicking sound "Di", the amplifier is switched on and the power LED will light, turn left for louder voice, turn right for lower voice until power off.
- ② Power indicator: It will light green when the amplifier is power-on. If the battery voltage is low, it will turn red, please recharge the battery in time.
- ③ Music play function switching button: Press can turn on/off the music, the microphone can be used at the same time.
- ④ Music play indicator: It will glitter when playing the music and lights on when pause, when stop playing the music, it will be off.
- ⑤ Press , for next song, press , long for music volume reduction to meet the demand of background music when speaking.
- ⑥ Press for play/pause the music.
- ⑦ Press , for previous song, press , long for music volume increase to meet the demand of background music when speaking.
- ⑧ Recharging indicator: When it is being recharged, it is red; after full recharging, it is green.
- ⑨ Recharging input socket: Input the DC 5V power adapter plug to this socket for recharging.
- ⑩ Aux input socket: Use the audio cable supplied by this amplifier to connect the music signal such as DVD, MP3 with the amplifier.
- ⑪ Microphone input socket: Insert the microphone Φ 3.5mm plug into this socket; do not point the microphone directly to amplifier, or it will cause howling.

- ⑫ TF card port: Please insert the TF card according to the direction of the illustration, when you hear "DA" after you insert it, it means the card is fixed; when you want to take out the card, just press it and the card will come out automatically.
- ⑬ USB port: Plug in the USB disk which has stored the music files.
- ⑭ Hanging buckle
- ⑮ Battery compartment: 1pc 3.7V/2000mAh Li-ion battery is inside.

Specification

Frequency Response: 80Hz-12kHz
 Output Power: 15W
 Output Impedance: 4 Ω
 Operating Voltage: 3.7V
 Battery Specification: 1pc 3.7V/2000mAh lithium ion battery
 Power Adapter: DC 5V 600-750mAh
 Recharging Time: Approx.4-6hrs
 Playtime: 20hrs
 TF Card/USB disk: Max.16G
 Media Format: MP3
 Net Weight: 408g
 Product Dimension: 107x107x52mm

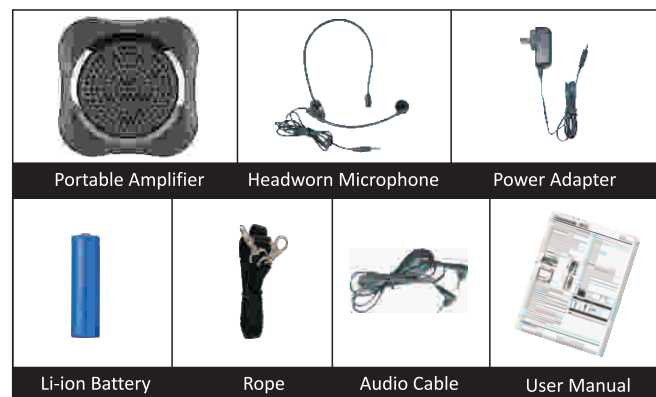
Operation

1. Put the battery into the battery compartment according to the polar.
2. Wear the headworn microphone correctly and adjust the suitable microphone pick-up angle.
3. Insert the Φ 3.5mm microphone plug into the MIC input socket.
4. Turn on the power, the power indicator will light, then adjust the suitable volume.
5. If the power indicator turns red, it means the battery power is low, please recharge in time.

Caution

1. Please full recharge the battery if long time no use.
2. Recharge timely when low battery power.
3. Don't insert external audio signal such as DVD or Mp3 into the MIC socket to avoid distortion due to extreme high voice .
4. Please use DC 5V power adapter supplied with this amplifier to make sure the best recharging function.
5. Aim at the headworn mic capsule when speaking and keep the distance between vocal and mic as 1-2cm to avoid howling.
6. Recharge for non-rechargeable battery is prohibited.
7. Non-special technician is not allowed to disassemble or repair the product, please contact the local agent if there is any question or service requirement.

Standard Configuration



Application

Teaching, tour guiding, presentation, outdoor activity, morning exercise, entertainment.